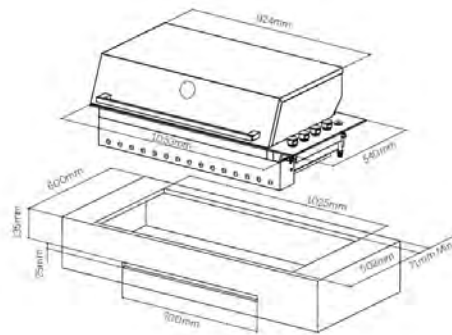


BEEFEATER SIGNATURE PRO LINE

The Signature Proline series scores with its strikingly simple and innovative design. The built-in grills made of stainless steel are not, as usual, inserted into a cut-out in the worktop that opens to the front, but are recessed from above. The controls for the six high-quality main burners are located next to the grill surface. Whether with a roasting hood or with a flat design lid, the Signature Proline gas grills and side burners impress with their unusually elegant appearance.



- grill: W 1053 x D 540 x H 212 mm
- weight: 55 kg
- power: 19,72 kW
- burners: 6 stainless steel burners with 71 MJ/h
- cut-out: 1025 x 502 mm
- materials: all external parts, operating units etc. made of 304 stainless steel, grillage in cast iron
- handling: intuitive on side control knobs
- ignition: electronic on side control panel

FULGOR MILANO

A Fulgor Milano BBG grill meets even the highest quality standards. The use of highly corrosion-resistant 316 marine stainless steel, which can withstand even salty sea air, makes a Fulgor Milano BBG grill almost imperishable. The elegant and no-frills design fits seamlessly into your outdoor kitchen and makes it a visual highlight. Fulgor Milano BBG grills run on propane or natural gas and are equipped with an automatic flame failure safety device. Enjoy the luxury of this first-class gas barbecue and become a real grill gourmet.



- grill: B 1046 x T 540 x 191 mm
- burners: 4x stainless-steel burners with 14 kW/h
- grids: 2x grillage + 1x tepanyaki (all stainless-steel)
- cut-out: 1025 x 505 mm
- handling: intuitive on side control buttons
- materials: extremely high-quality AISI316 marine stainless-steel, double-walled roasting hood
- gas types: Natural gas, LPG possible (needs to be converted)
- ignition: electronic on side control panel

BULL BBQ ANGUS

Let the premium built-in gas grills from the Californian grill manufacturer Bull BBQ convince you and prepare yourself for a new grilling experience! The high-quality built-in grills made of stainless steel have a total output of up to 31.00 kWh. In addition to the cast stainless steel burners, you can also find a rotisserie backburner in the grill, which can reach an output of up to 4.4 kWh and thus gives your meat a delicious and crispy crust. Thanks to the integrated thermometer and the double-sided light system on the cooking hood, you can also keep an eye on your barbecue even at night, so that the food is a masterpiece every time. In addition, the electronic button ignition with piezo technology allows you to start the grill quickly and easily.



- | | | | |
|---------------|---|---------------------|---------------------|
| ▪ grill area: | Main area: 760 x 490 mm, Warming grid: 760 x 180 mm | ▪ materials: | Stainless steel 304 |
| ▪ weight: | 76 kg | ▪ gas types: | LPG or natural gas |
| ▪ power: | 22 kW | ▪ suitable modules: | #401/1 |
| ▪ burners: | 4 cast stainless steel burners 1 rotisserie infrared backburner | | |
| ▪ cut-out: | W 787 x D 533 x H 241 mm | | |

FIRE MAGIC ECHELON e790i

Fire Magic has been manufacturing outdoor barbecues for more than 75 years. Grills for all those who expect first-class quality and demand the highest performance. Fire Magic magic barbecues are only made of stainless steel of the very best quality. Fire Magic barbecues are also extremely powerful and easily prove themselves even at the highest temperatures and keep them constant. With unique technology such as the modern heat distribution system, the various grilling options, optional smoker burners, robust rotisserie accessories and the flexibility to grill with charcoal, Fire Magic grills provide a truly unique grilling experience.



- | | | | |
|---------------|--|---------------------|----------------------------------|
| ▪ Grill area: | Main area 910 x 560 mm,
Warmin grid: 915 x 200 mm | ▪ Materials: | stainless-steel 316 |
| ▪ Power: | 33 kW | ▪ Type of gas: | LPG or natural gas |
| ▪ Burners: | 3 pairs of stainless-steel burners | ▪ Garanty: | lifetime manufacturer's warranty |
| ▪ Snippet: | W 1070 x D 661 x H 310 mm
(insulating frame required) | ▪ suitable modules: | #401/1 |

FLAMMKRAFT BLOCK D

Block D combines the highest demands on material, workmanship and quality. Solid materials are used everywhere. The Block D is made entirely of stainless steel.

The grilling surface leaves nothing to be desired. Both a powerful roasting zone and a large main grilling surface allow large rounds to be supplied with culinary delicacies of all kinds. The Block D knows no compromises.



- | | | | |
|----------------|-----------------------|-------------------|----------------------------------|
| ▪ Grill: | B x T x mm | ▪ Ignition: | electronic on side control panel |
| ▪ Burners: | 15,5 kW Brennleistung | ▪ suitable units: | #401/1 |
| ▪ Handling: | control buttons | | |
| ▪ Materials: | stainless steel | | |
| ▪ Type of gas: | LPG | | |

BEEFEATER SIGNATURE PRO LINE SIDEBURNER

CUBIC
OUTDOOR
LIVING

The Australian manufacturer Beefeater BBQ offers a high-quality side burner with the Signature Proline side burner. It convinces not only in quality, but also in design! The minimalist design of the Beefeater Signature Proline side burner can amaze even your discerning guests with its smooth stainless-steel surfaces and its high-class innovative style and give your outdoor kitchen a noble touch. In general, side burners can prove to be very helpful in your outdoor kitchen and surprisingly expand your range of preparation methods. Especially the Signature ProLine side burner by Beefeater BBQ can be a great support due to its versatile use. Whether wok, pot, pan or grill dishes, with the optional cast iron plate you can easily prepare any dish for you and your guests. Thanks to the powerful triple ring with 6.4kW/h, the side burner reaches very high heats in a very short time and can therefore provide every guest with unique dishes, even at a large party.



- | | | | |
|---------------|-----------------------|-------------------|-----------------------------|
| ▪ Gas burner: | B 350 x T 540 x 42 mm | ▪ Ignition: | electronic to control panel |
| ▪ Burner: | 6,4 kW | ▪ suitable units: | #401/3 |
| ▪ Operation: | control button | | |
| ▪ Materials: | stainless-steel 304 | | |
| ▪ Gasart: | LPG & natural gas | | |

BULL BBQ DOUBLE SIDEBURNER

Expand your outdoor kitchen with the double built-in side burner from the Californian barbecue manufacturer Bull BBQ! The Bull BBQ double side burner is easily inserted into the outdoor kitchen and fits into any kitchen thanks to its slim design. With its high-quality brass burners and a total output of approx. 6.4 kWh, you can use the side burner to easily prepare any dish in addition to the grill. The finish of the stainless-steel surfaces and the lid included in the delivery make the burner perfect for outdoor cooking in the garden.



- Gas burner: B 309 x T 522 x 242 mm
- Burner: 6,44 kW Burningpower
- Operation: control button
- Materials: stainless steel 304
- Gasart: propanegas / natural gas
- Zündung: electronic to control panel
- suitable modules: #403/1

BOFUN 400

With 14kW power, the Bofun gas burner creates optimal temperatures for healthy enjoyment cooking within seconds! The highly optimised Cyclon technology enables a weather-resistant, stable flame pattern and the incomparable efficiency offers the cook the greatest possible flexibility and efficient working. Clear lines and the plain surfaces direct the viewer's gaze directly to the place where the cooking is taking place and convey timeless elegance. Thanks to the modular system and the option of flush-mounted installation, Bofun offers a wide range of possible variations, both for outdoors and indoors. Different attachments can be exchanged with a single handle and enable almost all cooking variations.



- | | | | |
|---------------|------------------------|-------------------|-----------------------------|
| ▪ Gas burner: | B 400 x T 510 x 114 mm | ▪ Ignition: | electronic to control panel |
| ▪ Burner: | 14 kW Brennleistung | ▪ suitable units: | # 401/3 |
| ▪ Operation: | control button | | |
| ▪ Materials: | stainless steel | | |
| ▪ Gasart: | LPG | | |

BIG GREEN EGG (LARGE)

The Big Green Egg Large is the most popular model in the Big Green Egg family. On the cooking surface of the Large model, you can comfortably prepare your favourite dishes and the favourite meals of your family and friends. If necessary, even at the same time, because the Large model offers enough space for the wishes of eight people. Thanks to the large cooking surface, you can prepare entire three-course meals just as effortlessly on the Large.

- | | |
|---------------------|------------|
| ▪ Grid diameter : | Ø 460 mm |
| ▪ weight: | 73 kg |
| ▪ cut-out: | d = 570 mm |
| ▪ suitable modules: | # 401/4 |



MONOLITH CLASSIC PRO 2.0

The MONOLITH Classic is the most popular grill model from Monolith. With a grate diameter of 44 cm, the Classic is the first choice for grilling, baking, smocking, smoking and cooking for the whole family and your friends. The grilling surface, which can be extended with grate sets and rings as well as the additional grill grate, is large enough to cook several dishes and side dishes at the same time. With the unique chip feeder system, smoking woods can be added to the embers via the flap in the body without opening the lid of the grill. Supplemented by extensive accessories such as rotisserie, cast iron grate, pizza stone, wok holder & wok or fire plate, the Classic becomes a fully-fledged outdoor kitchen.

- | | |
|---------------------|------------|
| ▪ Grid diameter : | Ø 440 mm |
| ▪ weight: | 73 kg |
| ▪ cut-out: | d = 570 mm |
| ▪ suitable modules: | # 401/4 |



INDU+ MULTIFLEX 400 INDUCTION HOB

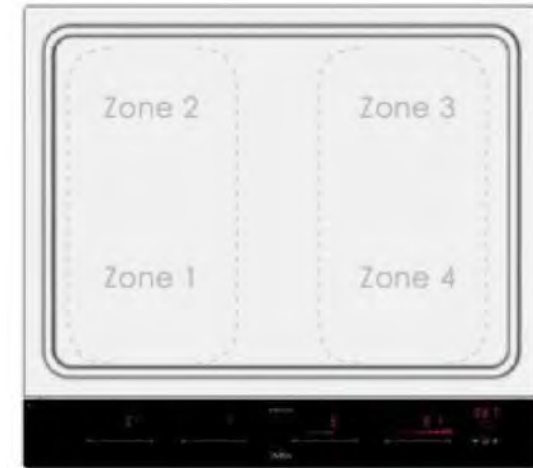
With its 2 rectangular cooking zones, the indu+ Multiflex offers every freedom: You can use them individually or connect them together to form one large cooking zone. Ideal if you want to prepare a large quantity of stew or heat up several small pots at the same time. In addition, the Multiflex has numerous functions to enable you to cook quickly and with total control. Two controls give direct access to 15 heating levels, three of which are very practical: one for 'low heat', one for 'keeping warm' and one for 'cooking'. The hob also features a lock button, 2 timers and a timer, as well as various safety functions. This hob is also very easy to clean.



- | | | | |
|----------------------|------------------------------|---------------------|--|
| ▪ Measure: | B 400 x T 520mm, R=5 | ▪ Handling: | 2 Slider Touch Control with direct access to 15 heating levels |
| ▪ Power: | 2100W -> Super-Booster 3700W | ▪ suitable modules: | # 402/1, # 402/2 (2 appliances possible) |
| ▪ power supply: | 220-240 V - 50/60 Hz - 16 A | | |
| ▪ Installation type: | top | | |

INDU+ TEPPANYAKI 580

Anyone who knows the advantages of induction will definitely appreciate this brand new hob. You can set the temperature very precisely and can start frying directly, as the hob heats up very quickly. The meat pores close immediately so that the meat stays nice and juicy on the inside, and the nutrients of vegetables are also retained. The hob has 4 areas, each of which is operated separately, but which can also be connected in pairs to form 2 large frying zones (bridge function). With the Slider Touch Control you have direct access to 10 pre-programmed heating levels for each zone. One of them is especially for cleaning: the cooking zone is set to the ideal cleaning temperature.



- | | | | |
|----------------------|-------------------------|---------------------|---|
| ▪ dimensions: | B 580 x T 520mm, R=5 | ▪ material: | stainless-steel 304 |
| ▪ power: | 5600 W | ▪ handling: | 4-way Slider Touch Control with direct access |
| ▪ power supply: | 400 V - 50/60 Hz - 16 A | ▪ suitable modules: | #402/1, #402/2 |
| ▪ Installation type: | top | | |

INVISIBLE INDUCTION HOB

Equip your CUBIC OUTDOOR KITCHEN with completely invisible hobs. The hobs heat through the top, so all you see on the worktop is a small mark. After use, the kitchen transforms into a freely usable work surface or a cosy table. Another advantage is that the hobs are not exposed to weathering and are therefore extremely easy to clean.



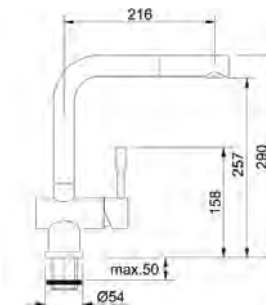
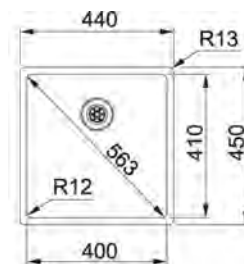
- Decor: Black & Clay
- Heat transfer: Induction
- Operation: 3 rotary controls in front panel with digital display
- suitable modules: #402/1, #402/2

CLASSIC SINK + TAP

Quickly wash your hands or clean the salad? No problem with the elegant stainless-steel sink and the matching tap. The 20 cm deep basin is even completely sufficient to wash the dishes right outside. The narrow radius emphasizes the linear, timeless design of the kitchen and offers maximum volume. Even when preparing many portions, the basin always remains spotlessly clean thanks to the integral drain and concealed overflow. The matching tap fitting is made of stainless steel and equipped with a swivel spout.

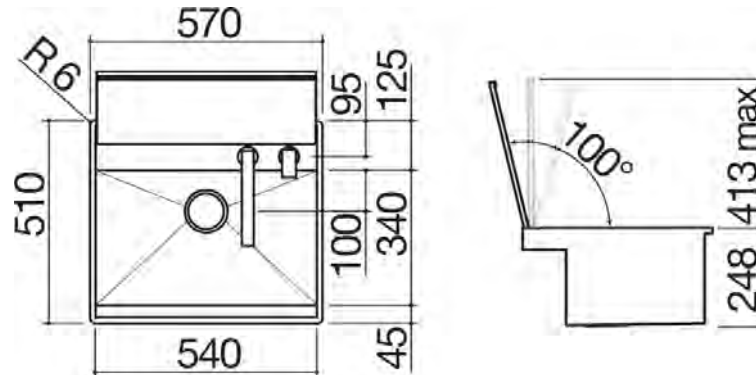


- dimensions: w 400 x d 410 x h 200 mm
- material: stainless-steel
- price: included in module price #403/1



BARAZZA FLUSH SINK + LID

Quickly wash your hands or clean the salad? No problem with the elegant stainless-steel sink from Barazza. The 24 cm deep basin is even completely sufficient to wash the dishes right outside. The retractable tap and the fold-down lid combine functionality and elegance.



- dimensions: W 540 x D 340 x H 248 mm
- material: stainless steel 316
- price: included in module price #403/2

CERAMIC SINK + TAP

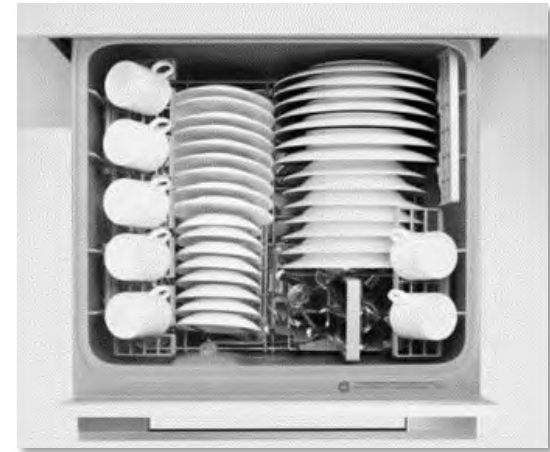
The sink becomes a special highlight of your outdoor kitchen with the ceramic sink in the same décor as the worktop. The shape is purist and simple and is combined with a black stainless steel tap and matching drain.

- min. modul dimensions: w 500 mm x 650 mm
- Beckenmaß: B 400 x T 470 x H 160 mm
- Material: Keramik
- Preis: included in modul price #403/3



SINGLE TALL INTEGRATED DISHDRAWER

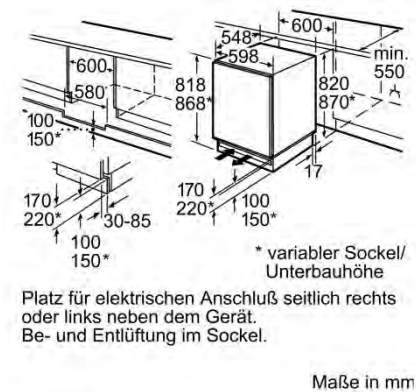
With over 10 years of experience in the production of dishwashers, proud to present the latest edition. Continuing the ergonomic design, Fisher & Paykel has found new ways to make washing dishes easier. Adjustable shelves on the sides of the drawer and retractable brackets ensure extreme versatility and many adjustment possibilities. The dishwashers also offer a wide range of washing programs. In addition, the dishwasher becomes a practical companion in the kitchen thanks to the separately usable sink drawers.



- min. unit dimensions: W 630 x D 650 mm
- SmartDrive Technology
- water level sensor
- flow-through dispenser for detergent
- quiet operation
- fan-assisted drying
- built-in water softener
- 6 place settings per drawer
- flexible filing system
- folding prongs
- adjustable shelves and cup holders
- space for long stemmed glasses
- space for plates up to 330 mm
- !! Can only be used in frost-free areas !!

REFRIGERATOR

A refrigerator is a must in a complete outdoor kitchen. In addition to always cool drinks, our Bosch built-in refrigerators also offer enough space for barbecue food etc. The indoor refrigerators must be switched off in frosty weather - outdoor refrigerators are also available as an alternative for year-round use. Our standard model is always equipped with a freezer compartment.



Maße in mm



- min module dimensions: w 630 mm x d 650 mm
- power supply: 90 W, 220-240 V
- efficiency: A++, cools very economically
- capacity: 123 litres
- noise level: 38 dB(A) re 1 pW
- multiBox: ideal storage place for fruit and vegetables
- lighting: Interior lighting
- safety: particularly stable shelf made of easy-care glass
- price: included in module price #404/1

CASO BARBECUE COOLER

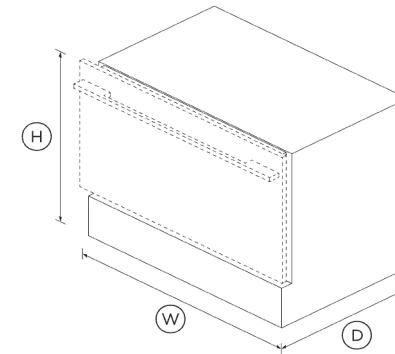
The compact Barbecue Cooler fridge from Caso offers a high storage capacity and a high-quality design. In addition, its contents are protected by a 3-layer insulating safety glass with UV filter. The temperature can be regulated between 0 and 10 °C by means of a sensor touch. Storing at least 20 bottles is no problem for the appliance and if necessary, the three shelves can be removed effortlessly.



- Measure: W 430 x D 540 x H 690 mm
- Energy: ca. 128 kWh / Jahr
- Capacity: 63 L
- Price: included in module price # 404/2

MULTITEMPERATURE COOL DRAWER

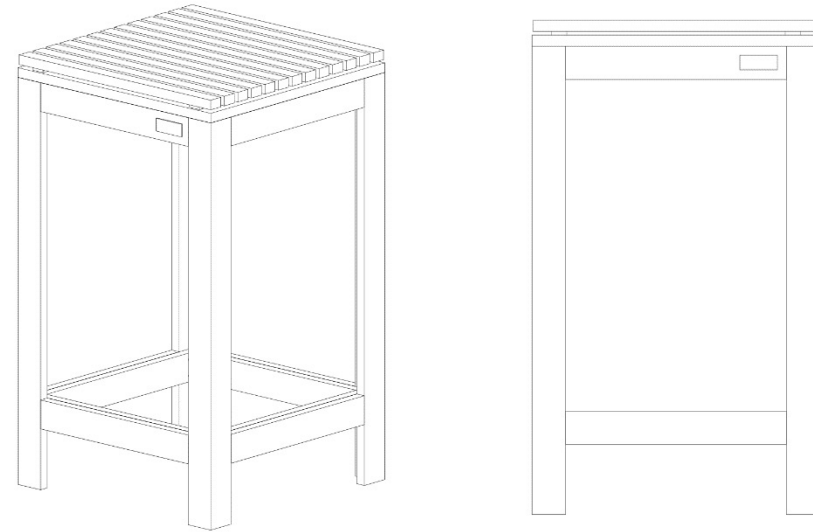
The Cool Drawer was designed to transform from fridge to freezer at the touch of a button. Based on the concept of distributed refrigeration, it combines ActiveSmart™ technology with a drawer-based design. CoolDrawer™ offers five temperature settings to deliver total flexibility - fridge, freezer, wine, pantry and refrigeration modes, combining intelligence with convenience.



- min. unit dimensions: W 895 x D 650
- energy: approx. 110 kWh / year
- capacity: 123 l
- price: included in module price #404/3

CUBIC BAR STOOL C1

The CUBIC C1 bar stools complete your outdoor kitchen into a full bar area. The frame is made of through-and-through weatherproof CUBIC material. For a scratch-resistant seat, it is always equipped with wooden slats. The CUBIC bar stools are always adjusted to the height of the kitchen and lacquered in the body colour.



- dimensions: W 385 x D 385 x H 675 mm
- materials: CUBIC-material, wood, aluminium
- #: BST-C1

CUBIC BAR CHAIR C2

The CUBIC C2 bar stools complete your outdoor kitchen into a full bar area. The frame is made of stainless-steel 304. For a scratch-resistant seat, it is always equipped with wooden slats. The CUBIC bar stools are always adjusted to the height of the kitchen and the lid is painted in the body colour. The stainless-steel base frame can be powder-coated on request.



- dimensions: W 385 x D 385 x H 675 mm
- materials: CUBIC-material, wood, aluminium, stainless-steel
- #: BST-C2